

MOTOROLA
SEMICONDUCTOR Freescale Semiconductor, Inc.
TECHNICAL DATA

XC33989

Advance Information

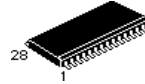
**System Basis Chip with
High Speed CAN Transceiver**

The MC33989 is a monolithic integrated circuit combining many functions frequently used by automotive ECUs. It incorporates:

- Two voltage regulators.
 - Four high voltage inputs.
 - 1Mbaud CAN physical interface.
- Vdd1: Low drop voltage regulator, current limitation, over temperature detection, monitoring and reset function
 - Vdd1: Total current capability 200mA.
 - V2: Tracking function of Vdd1 regulator. Control circuitry for external bipolar ballast transistor for high flexibility in choice of peripheral voltage and current supply.
 - Four operational modes (normal, stand-by, stop and sleep mode)
 - Low stand-by current consumption in stop and sleep modes
 - High speed 1Mbaud CAN physical interface.
 - Four external high voltage wake-up inputs, associated with HS1 Vbat switch
 - 150mA output current capability for HS1 Vbat switch allowing drive of external switches pull up resistors or relays
 - Vsup failure detection
 - Nominal DC operating voltage from 5.5 to 27V, extended range down to 4.5V.
 - 40V maximum transient voltage
 - Programmable software time out and window watchdog
 - Safe mode with separate outputs for Watchdog time out and Reset
 - Wake up capabilities (four wake up inputs, programmable cyclic sense, forced wake up, CAN interface, SPI and stop mode over current)
 - Interface with MCU through SPI

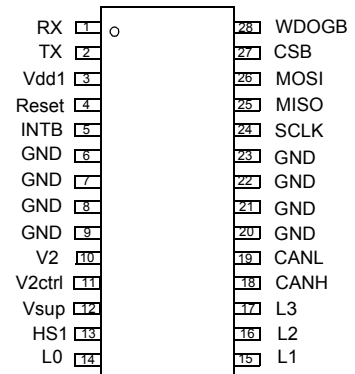
**SYSTEM BASIS CHIP
WITH HIGH SPEED CAN**

**SEMICONDUCTOR
TECHNICAL DATA**

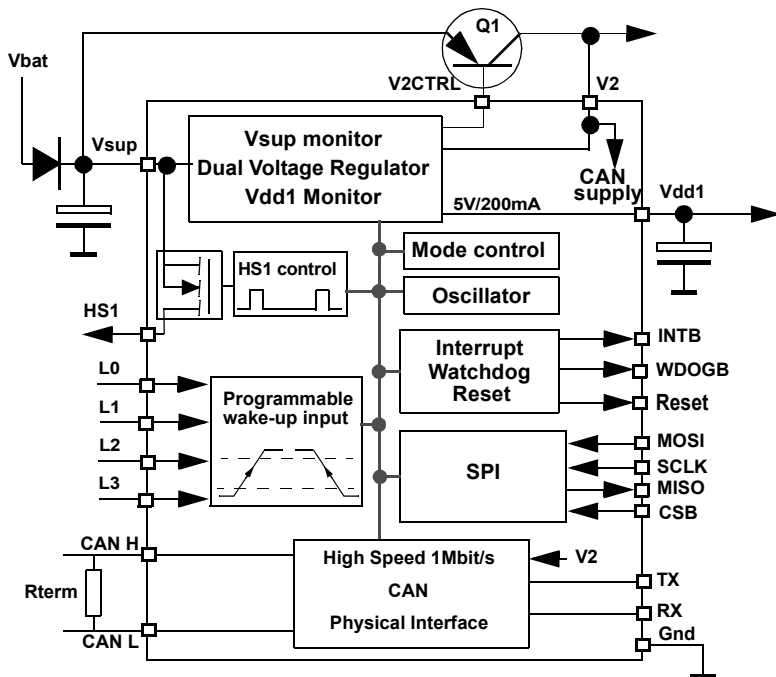


DW SUFFIX
PLASTIC PACKAGE
CASE 751-F
(SO-28)

PIN CONNECTIONS



Simplified Block Diagram



ORDERING INFORMATION

Device	Operating Temperature Range	Package
PC33989DW	T _A = -40 to 125°C	SO-28

**For More Information On This Product,
Go to: www.freescale.com**

1 MAXIMUM RATINGS

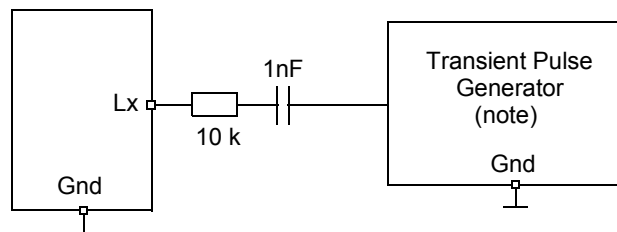
Ratings	Symbol	Min	Typ	Max	Unit
ELECTRICAL RATINGS					
Supply Voltage at Vsup - Continuous voltage - Transient voltage (Load dump)	Vsup Vsup	-0.3		27 40	V
Logic Inputs (Rx, Tx, MOSI, MISO, CSB, SCLK, Reset, WDOG, INTB)	Vlog	- 0.3		Vdd1+0.3	V
Output current Vdd1	I		Internally limited		A
HS1 - voltage - output current	V I	-0.3	Internally limited	Vsup+0.3	V A
ESD voltage (HBM 100pF, 1.5k) - HS1, L0, L1, L2, L3 - All other pins	Vesdh	-4 -2		4 2	kV
ESD voltage (Machine Model) All pins except CANH and CANL	Vesdm	-200		200	V
L0, L1, L2, L3 - DC Input voltage - DC Input current - Transient input voltage (according to ISO7637 specification) and with external component (see figure 1 below).	Vwu DC	-0.3 -2 -100		40 2 +100	V mA V

THERMAL RATINGS

Junction Temperature	T _j	- 40		+150	°C
Storage Temperature	T _s	- 55		+165	°C
Ambient Temperature (for info only)	T _a	- 40		+125	°C
Thermal resistance junction to gnd pins (note 1)	Rthj/p			20	°C/W

note 1: gnd pins 6, 7, 8, 9, 20, 21, 22, 23

Figure 1. : Transient test pulse for L0, L1, L2 and L3 inputs



note: Waveform in accordance to ISO7637 part1, test pulses 1, 2, 3a and 3b.

2 ELECTRICAL CHARACTERISTICS

(V_{sup} From 5.5V to 18V and Tamb -40°C to 125°C)

For all pins except CANH, CANL, Tx and Rx which are described in the CAN module section

Description	Symbol	Characteristics			Unit	Conditions
		Min	Typ	Max		
Vsup pin (Device power supply)						
Nominal DC Voltage range	Vsup	5.5		18	V	
Extended DC Voltage range 1	Vsup-ex1	4.5		5.5	V	Reduced functionality (note 1)
Extended DC Voltage range 2	Vsup-ex2	18		27	V	(note 3)
Input Voltage during Load Dump	VsupLD			40	V	Load dump situation
Input Voltage during jump start	VsupJS			27	V	Jump start situation
Supply Current in Stand-by Mode (note 2,4) (includes 10mA at Vdd1)	I _{sup} (stdby)		12	17	mA	I _{out} at Vdd1 =10mA CAN recessive or sleep-disable state
Supply Current in Normal Mode (note 2)	I _{sup} (norm)		12.5	17	mA	I _{out} at Vdd1 =10mA CAN recessive or sleep-disable state
Supply Current in Sleep Mode (note 2,4)	I _{sup} (sleep1)		72	105	μA	Vdd1 & V2 off, Vsup<12V, oscillator running (note5) CAN in sleep-disable state
Supply Current in Sleep Mode (note 2,4)	I _{sup} (sleep2)		57	90	μA	Vdd1 & V2 off, Vsup<12V oscillator not running (5) CAN in sleep-disable state
Supply current in sleep mode (note 2,4)	I _{sup} (sleep3)		100	150	μA	Vdd1 & V2 off, Vsup>12V oscillator running (5) CAN in sleep-disable state
Supply Current in Stop mode (note 2,4) I _{out} Vdd1 <2mA	I _{sup} (stop1)		135	210	μA	Vdd1 on, Vsup<12V oscillator running (5) CAN in sleep-disable state
Supply Current in Stop mode (note 2,4) I _{out} Vdd1 <2mA	I _{sup} (stop2)		130	410	μA	Vdd1 on, Vsup<12V oscillator not running (5) CAN in sleep-disable state
Supply Current in Stop mode (note 2,4) I _{out} Vdd1 < 2mA	I _{sup} (stop3)		160	230	μA	Vdd on, Vsup>12 oscillator running (5) CAN in sleep-disable state
BATFAIL Flag internal threshold	VBF	1.5	3	4	V	
BATFAIL Flag hysteresis	VBF hyst		1		V	guaranteed by design
Battery fall early warning threshold	BFew	5.3	5.8	6.3	V	In normal & standby mode
Battery fall early warning hysteresis	BFewh	0.1	0.2	0.3	V	In normal & standby mode guaranteed by design

note 1: Vdd1>4V, reset high, logic pin high level reduced, device is functional.

note 2: Current measured at Vsup pin.

note 3: Device is fully functional. All functions are operating (All mode available and operating, Watchdog, HS1 turn ON turn OFF, CAN cell operating, L0 to L3 inputs operating, SPI read write operation). Over temperature may occur.

note 4: With CAN cell in sleep-disable state. If CAN cell is sleep-enabled for wake up, an additional 60uA must be added to specified value.

note 5: Oscillator running means "Forced Wake up" or "Cyclic Sense" or "Software Watchdog in stop mode" timer activated. Oscillator not running means that "Forced Wake up" and "cyclic Sense" and "Software Watchdog in stop mode" are not activated.

Vdd1 (external 5V output for MCU supply). Idd1 is the total regulator output current. Vdd specification with external capacitor. Stability requirement: C>47uF ESR < 1.3 ohms (tantalum capacitor)**In reset, normal request, normal and standby modes.****Measures with C=47uF Tantalum.**

Vdd1 Output Voltage	Vdd1out	4.9	5	5.1	V	Idd1 from 2 to 200mA Tamb -40°C to 125°C 5.5V< Vsup <27V
Vdd1 Output Voltage	Vdd1out	4			V	Idd1 from 2 to 200mA 4.5V< Vsup <5.5V

Freescale Semiconductor, Inc.

(V_{sup} From 5.5V to 18V and Tamb -40°C to 125°C)

For all pins except CANH, CANL, Tx and Rx which are described in the CAN module section

Description	Symbol	Characteristics			Unit	Conditions
		Min	Typ	Max		
Dropout Voltage	Vdd1drop		0.2	0.5	V	I _{dd1} = 200mA
Dropout Voltage, limited output current	Vdd1dp2		0.1	0.25	V	I _{dd1} = 50mA 4.5V < V _{sup}
I _{dd1} output current	I _{dd1}	200	285	350	mA	Internally limited
Thermal Shutdown (junction)	T _{sd}	160		200	°C	Normal or standby mode
Over temperature pre warning (junction)	T _{pw}	125		160	°C	VDDTEMP bit set
Temperature Threshold difference	T _{sd} -T _{pw}	20		40	°C	
Reset threshold 1	Rst-th1	4.5	4.6	4.7	V	Selectable by SPI. Default value after reset.
Reset threshold 2	Rst-th2	4.1	4.2	4.3	V	Selectable by SPI
Vdd1 range for Reset Active	V _{dd,r}	1			V	
Reset Delay Time	t _d	4		30	us	Measured at 50% of reset signal
Line Regulation (C at Vdd1= 47uF tantal)	LR1		5	25	mV	9V < V _{sup} < 18, I _{dd} =10mA
Line Regulation (C at Vdd1= 47uF tantal)	LR2		10	25	mV	5.5V < V _{sup} < 27V, I _{dd} =10mA
Load Regulation (C at Vdd1= 47uF tantal)	LD		25	75	mV	1mA < I _{dd} < 200mA
Thermal stability	ThermS		30	50	mV	V _{sup} =13.5V, I=100mA not tested, guaranteed by characterization and design

Vdd1 in Stop mode

Vdd1 Output Voltage	Vddstop	4.75	5.00	5.25	V	I _{dd1} <= 2mA
Vdd1 Output Voltage	Vddstop2	4.75	5.00	5.25	V	I _{dd1} <= 10mA
I _{dd1} stop output current to wake up SBC	I _{dd1s-wu}	10	17	25	mA	
I _{dd1} over current wake up deglitcher time	I _{dd1} - dglt	40	55	75	us	guaranted by design
Reset threshold	Rst-stop1	4.5	4.6	4.7	V	
Reset threshold	Rst-stop2	4.1	4.2	4.3	V	
Line regulation (C at Vdd1= 47uF tantal)	LR-s		5	25	mV	5.5V < V _{sup} < 27V, I _{dd} =2mA
Load regulation (C at Vdd1= 47uF tantal)	LD-s		15	75	mV	1mA < I _{dd} < 10mA

V2 tracking voltage regulator

note 3: V2 specification with external capacitor

- Stability requirement: C > 42uF and ESR < 1.3 ohm (tantalum capacitor), external resistor between base and emitter required.

- Measurement conditions: Ballast transistor MJD32C, C = 10uF tantalum, 2.2k resistor between base and emitter of ballast transistor.

V2 Output Voltage (C at V2 = 10uF tantal)	V2	0.99	1	1.01	Vdd1	I ₂ from 2 to 200mA 5.5V < V _{sup} < 27V
I ₂ output current (for information only)	I ₂	200			mA	Depending upon external ballast transistor
V2 ctrl drive current capability	I _{2ctrl}	0		10	mA	Worst case at T _j =125°C
V2LOW Flag Threshold	V2Lth	3.75	4	4.25	V	

Logic output pins (MISO) Push pull structure with tri state condition (CSB high).

Low Level Output Voltage	V _{ol}	0		1.0	V	I _{out} = 1.5mA
High Level Output Voltage	V _{oh}	Vdd1-0.9		Vdd1	V	I _{out} = -250uA
Tristated MISO Leakage Current		-2		+2	uA	0V < V _{miso} < Vdd

Logic input pins (MOSI, SCLK, CSB)

High Level Input Voltage	V _{ih}	0.7Vdd1		Vdd1+0.3		
Low Level Input Voltage	V _{il}	-0.3		0.3Vdd1	V	
High Level Input Current on CSB	I _{ih}	-100		-20	uA	V _i =4V
Low Level Input Current CSB	I _{il}	-100		-20	uA	V _i =1V
MOSI, SCK Input Current	I _{in}	-10		10	uA	0 < V _{IN} < Vdd

Freescale Semiconductor, Inc.

(V_{sup} From 5.5V to 18V and Tamb -40°C to 125°C)

For all pins except CANH, CANL, Tx and Rx which are described in the CAN module section

Description	Symbol	Characteristics			Unit	Conditions
		Min	Typ	Max		
Reset Pin (output pin only, supply from Vdd1. Structure switch to gnd with pull up current source)						
High Level Output current	I _{oh}	-300	-250	-150	µA	0 < V _{out} < 0.7V _{dd}
Low Level Output Voltage (I _o =1.5mA)	V _{ol}	0		0.9	V	5.5V < V _{sup} < 27V
Low Level Output Voltage (I _o =tbd mA)	V _{ol}	0		0.9	V	1V < V _{sup} < 5.5V
Reset pull down current	I _{pdw}	2.3		5	mA	V > 0.9V
Reset Duration after Vdd1 High	reset-dur	3	3.4	4	ms	
Wdogb output pin (Push pull structure)						
Low Level Output Voltage (I _o =1.5mA)	V _{ol}	0		0.9	V	1V < V _{sup} < 27V
High Level Output Voltage (I _o =-250µA)	V _{oh}	V _{dd1} -0.9		V _{dd1}		
INT Pin(Push pull structure)						
Low Level Output Voltage (I _o =1.5mA)	V _{ol}	0		0.9	V	
High Level Output Voltage (I _o =-250µA)	V _{oh}	V _{dd1} -0.9		V _{dd1}		
HS1: 150mA High side output pin						
R _{ds(on)} at T _j =25°C, and I _{out} -150mA	R _{on25}		2	2.5	Ohms	V _{sup} > 9V
R _{ds(on)} at T _a =125°C, and I _{out} -150mA	R _{on125}			4.5	Ohms	V _{sup} > 9V
R _{ds(on)} at T _a =125°C, and I _{out} -120mA	R _{on125-2}		3.5	5.5	Ohms	5.5 < V _{sup} < 9V
Output current limitation	I _{lim}	160		500	mA	
Over temperature Shutdown	O _{vt}	155		190	°C	
Leakage current	I _{leak}			10	µA	
Output Clamp Voltage at I _{out} = -10mA	V _{cl}	-1.5		-0.3	V	no inductive load drive capability
L0, L1, L2, L3 inputs						
Negative Switching Threshold	V _{thn}	2 2.5 2.7	2.5 3 3.2	3 3.6 3.7	V	5.5V < V _{sup} < 6V 6V < V _{sup} < 18V 18V < V _{sup} < 27
Positive Switching Threshold	V _{thp}	2.7 3 3.5	3.3 4 4.2	3.8 4.6 4.7	V	5.5V < V _{sup} < 6V 6V < V _{sup} < 18V 18V < V _{sup} < 27
Hysteresis	V _{hyst}	0.6		1.3	V	5.5V < V _{sup} < 27
Input current	I _{in}	-10		10	µA	-0.2V < V _{in} < 40V
Wake up Filter Time	T _{wuf}	8	20	38	µs	
DIGITAL INTERFACE TIMING						
SPI operation frequency	Freq	0.25		4	MHz	
SCLK Clock Period	t _{pCLK}	250		N/A	ns	
SCLK Clock High Time	t _{wSCLKH}	125		N/A	ns	
SCLK Clock Low Time	t _{wSCLKL}	125		N/A	ns	
Falling Edge of CS to Rising Edge of SCLK	t _{lead}	100		N/A	ns	
Falling Edge of SCLK to Rising Edge of CS	t _{lag}	100		N/A	ns	
MOSI to Falling Edge of SCLK	t _{SISU}	40		N/A	ns	
Falling Edge of SCLK to MOSI	t _{SIH}	40		N/A	ns	
MISO Rise Time (CL = 220pF)	t _{rSO}		25	50	ns	
MISO Fall Time (CL = 220pF)	t _{fSO}		25	50	ns	
Time from Falling or Rising Edges of CS to: - MISO Low Impedance - MISO High Impedance	t _{SOEN} t _{SODIS}			50 50	ns	
Time from Rising Edge of SCLK to MISO Data Valid	t _{valid}			50	ns	0.2 V ₁ = <MISO> = 0.8V ₁ , C _L = 200pF

Freescale Semiconductor, Inc.

(V_{sup} From 5.5V to 18V and Tamb -40°C to 125°C)

For all pins except CANH, CANL, Tx and Rx which are described in the CAN module section

Description	Symbol	Characteristics			Unit	Conditions
		Min	Typ	Max		

STATE MACHINE TIMING

note 1: delay starts at falling edge of clock cycle #8 of the SPI command and start of "Turn on" or "Turn off" of HS1 or V2.

Delay between CSB low to high transition (at end of SPI stop command) and Stop mode activation	Tcsb-stop	18		34	us	Guaranteed by design detected by V2 off
Interrupt low level duration	Tint	7	10	13	us	SBC in stop mode
Internal oscillator frequency	Osc-f1		100		kHz	All modes except Sleep and Stop, guaranteed by design
Internal low power oscillator frequency	Osc-f2		100		kHz	Sleep and Stop modes, guaranteed by design
Watchdog period 1	Wd1	8.58	9.75	10.92	ms	Normal and standby modes
Watchdog period 2	Wd2	39.6	45	50.4	ms	Normal and standby modes
Watchdog period 3	Wd3	88	100	112	ms	Normal and standby modes
Watchdog period 4	Wd4	308	350	392	ms	Normal and standby modes
Watchdog period accuracy	F1acc	-12		12	%	Normal and standby modes
Normal request mode timeout	NRtout	308	350	392	ms	Normal request mode
Watchdog period 1 - stop	Wd1stop	6.82	9.75	12.7	ms	Stop mode
Watchdog period 2 - stop	Wd2stop	31.5	45	58.5	ms	Stop mode
Watchdog period 3 - stop	Wd3stop	70	100	130	ms	Stop mode
Watchdog period 4 - stop	Wd4stop	245	350	455	ms	Stop mode
Stop mode watchdog period accuracy	F2acc	-30		30	%	Stop mode
Cyclic sense/FWU timing 1	CSFWU1	3.22	4.6	5.98	ms	Sleep and stop modes
Cyclic sense/FWU timing 2	CSFWU2	6.47	9.25	12	ms	Sleep and stop modes
Cyclic sense/FWU timing 3	CSFWU3	12.9	18.5	24	ms	Sleep and stop modes
Cyclic sense/FWU timing 4	CSFWU4	25.9	37	48.1	ms	Sleep and stop modes
Cyclic sense/FWU timing 5	CSFWU5	51.8	74	96.2	ms	Sleep and stop modes
Cyclic sense/FWU timing 6	CSFWU6	66.8	95.5	124	ms	Sleep and stop modes
Cyclic sense/FWU timing 7	CSFWU7	134	191	248	ms	Sleep and stop modes
Cyclic sense/FWU timing 8	CSFWU8	271	388	504	ms	Sleep and stop modes
Cyclic sense On time	Ton	200	350	500	us	in sleep and stop modes threshold and condition to be added
Cyclic sense/FWU timing accuracy	Tacc	-30		+30	%	in sleep and stop mode
Delay between SPI command and HS1 turn on (note 1)	Ts-HSon			22	us	Normal or standby mode V _{sup} >9V
Delay between SPI command and HS1 turn off (note 1)	Ts-HSoff			22	us	Normal or standby mode V _{sup} >9V
Delay between SPI and V2 turn on (note 1)	Ts-V2on	9		22	us	Standby mode
Delay between SPI and V2 turn off (note 1)	Ts-V2off	9		22	us	Normal modes
Delay between Normal Request and Normal mode, after W/D trigger command	Ts-NR2N	15	35	70	us	Normal request mode
Delay between SPI and "CAN normal mode"	Ts-CANn			10	us	SBC Normal mode guaranteed by design
Delay between SPI and "CAN sleep mode"	Ts-CANs			10	us	SBC Normal mode guaranteed by design

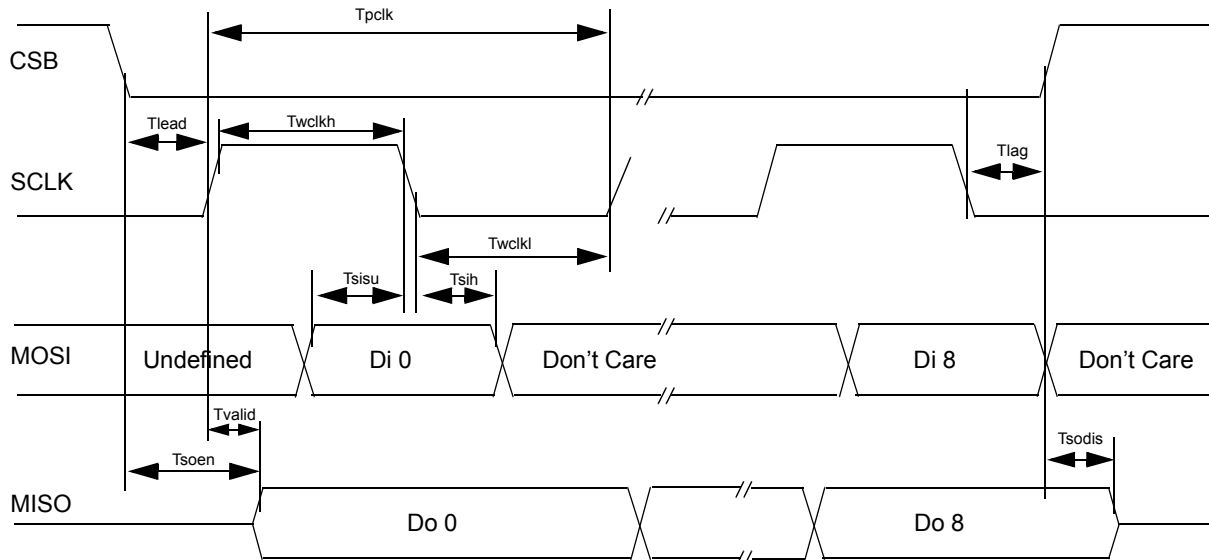
Freescale Semiconductor, Inc.

(V_{sup} From 5.5V to 18V and Tamb -40°C to 125°C)

For all pins except CANH, CANL, Tx and Rx which are described in the CAN module section

Description	Symbol	Characteristics			Unit	Conditions
		Min	Typ	Max		
Delay between CSB wake up (CSB low to high) and SBC normal request mode (V _{dd1} on & reset high)	Tw-csb	15	40	90	us	SBC in stop mode
Delay between CSB wake up (CSB low to high) and first accepted SPI command	Tw-spi	90		N/A	us	SBC in stop mode
Delay between INT pulse and 1st Spi command accepted	Ts-1stspi	20		N/A	us	In stop mode after wake up

Figure 2. SPI Timing characteristic



Note:

Incoming data at MOSI pin is sampled by the SBC at SCLK falling edge.

Outcoming data at MISO pin is set by the SBC at SCLK rising edge (after T_{valid} delay time).

Freescale Semiconductor, Inc.

3 CAN MODULE SPECIFICATION

MAXIMUM RATING

Ratings	Symbol	Min	Typ	Max	Unit
ELECTRICAL RATINGS					
CANL,CANH Continuous voltage	VcanH,L	-27		40	V
CANL,CANH Continuous current	IcanH,L			200	mA
CANH, CANL Transient voltage (Load dump, note1)	VtrH,L			40	V
CANH, CANL Transient voltage (note2)	VtrH,L	-40		40	V
Logic Inputs (Tx, Rx)	U	-0.5		6	V
ESD voltage (HBM 100pF, 1.5k), CANL, CANH	Vesd-ch	-4		4	kV
ESD voltage (Machine Model) CANH, CAN L	Vesd-cm	-200		200	V

ELECTRICAL CHARACTERISTICS $V_{DD1} = 4.75$ to 5.25 ; $V_{sup} = 5.5$ to $27V$; $T_{amb} = -40$ to $125^{\circ}C$ unless otherwise specified

Descriptions	Symbol	Min	Typ	Max	Unit	Conditions
Supply						
Supply current of CAN cell	Ires		1.5	3	mA	Recessive state
Supply current of CAN cell	Idom		2	6	mA	Dominant state, without bus load
Supply current of CAN cell CAN in sleep state wake up enable	Isleep		55	70	uA	V2 regulator off
Supply current of CAN cell CAN in sleep state wake up disabled	Idis			1	uA	V2 regulator off (guaranteed by design)
CANH and CANL						
Bus pins common mode voltage		-27		40	V	
Differential input voltage	Vcanh- Vcanl			500	mV	Common mode between -3 and +7V. Recessive state at Rx
Differential input voltage		900			mV	Common mode between -3 and +7V. Dominant state at Rx
Differential input hysteresis (Rx)		100			mV	
Input resistance	Rin	5		100	Kohms	
Differential input resistance	Rind	10		100	Kohms	
Unpowered node input current				1.5	mA	
CANH output voltage		2.75		4.5	V	TX dominant state
CANL output voltage		0.5		2.25	V	Tx dominant state
Differential output voltage		1.5		3	V	Tx dominant state
CANH output voltage				3	V	Tx recessive state
CANL output voltage		2			V	Tx recessive state
Differential output voltage				100	mV	Tx recessive state

MC33989
Freescale Semiconductor, Inc.
 DEVICE DESCRIPTION

Descriptions	Symbol	Min	Typ	Max	Unit	Conditions
CAN H output current capability	Icanh			-35	mA	Dominant state
CAN L output current capability	Icanl	35			mA	Dominant state
Over temperature shutdown	Tshut	160	180°C		°C	
CAN L over current detection	Icanl-oc	60		200	mA	Error reported in CANR register
CAN H over current detection	Icanh-oc	-200		-60	mA	Error reported in CANR register

TX and RX

Tx Input High Voltage	Vih	0.7 Vdd		Vdd+0.4	V	
Tx Input Low Voltage	Vilp	-0.4		0.3 Vdd	V	
Tx High Level Input Current, Vtx=Vdd	Iih	-10		10	uA	
Tx Low Level Input Current, Vtx=0V	Iil	-100	-50	-20	uA	
Rx Output Voltage High, Irx=-250uA	Voh	Vdd-1			V	
Rx Output Voltage Low, Irx=+1mA	Vol			0.5	V	

Timing

Dominant State Timeout	Tdout	200	360	520	us	
Propagation loop delay Tx to Rx, Recessif to dominant	Tlrd	70 80 100 110	140 155 180 220	210 225 255 310	ns	slew rate 3 slew rate 2 slew rate 1 slew rate 0
Propagation delay Tx to CAN	Ttrd	20 40 60 100	65 80 120 160	110 150 200 300	ns	slew rate 3 slew rate 2 slew rate 1 slew rate 0
Propagation delay CAN to Rx, recessif to dominant	Trrd	30	80	140	ns	
Propagation loop delay Tx to Rx, Dominat to recessif	Tldr	70 90 100 130	120 135 160 200	170 180 220 260	ns	slew rate 3 slew rate 2 slew rate 1 slew rate 0
Propagation delay Tx to CAN	Ttdr	60 65 75 90	110 120 150 190	130 150 200 300	ns	slew rate 3 slew rate 2 slew rate 1 slew rate 0
Propagation delay CAN to Rx, dominant to recessif	Trdr	20	40	60	ns	
Non differential slew rate (CanL or CanH)	Tsl 3 Tsl 2 Tsl 1 Tsl 0	4 3 2 1	19 13.5 8 5	40 20 15 10	V/us	slew rate 3 slew rate 2 slew rate 1 slew rate 0

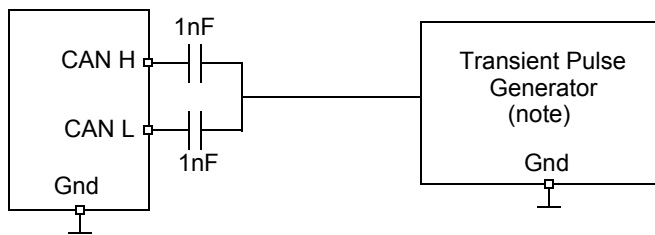
note 1: Load dump test according to ISO7637 part 1

note 2: Transient test according to ISO7637 part 1, pulses 1,2,3a and 3b, according to schematic figure below.

note 3: Human Body Model; C=100pF, R=1.5Kohms

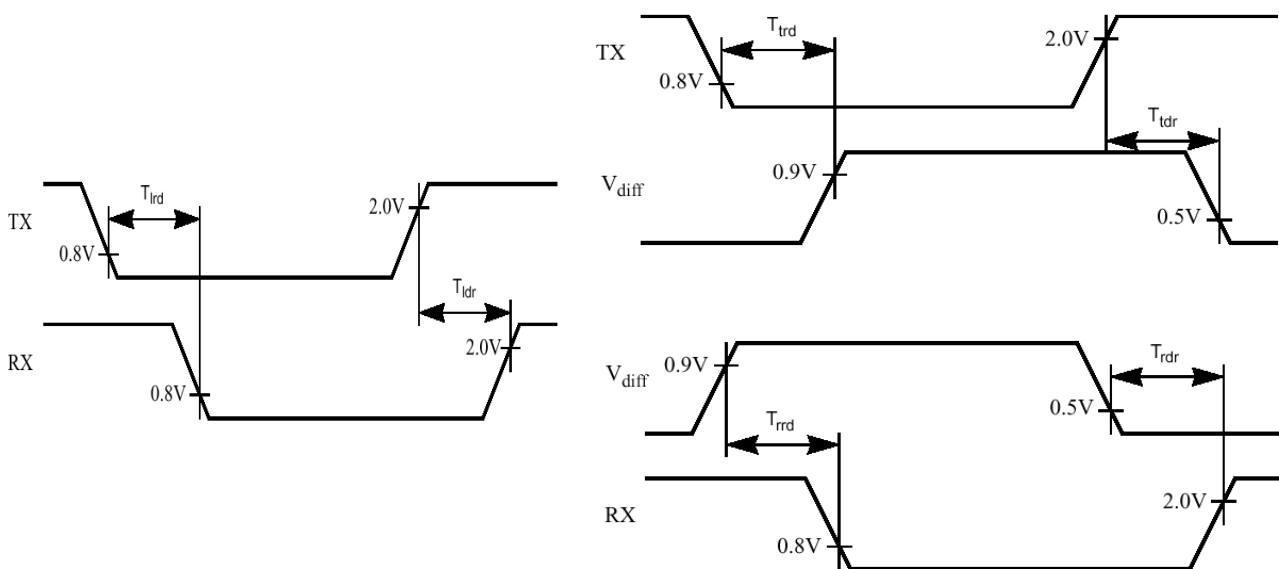
note 4: Machine Model; C=200pF, R=25ohms

Figure 3. Transient test pulses for CANH and CANL



note: Waveform in accordance to ISO7637 part1, test pulses 1, 2, 3a and 3b.

Figure 4. Transceiver AC characteristics



3.1 CAN error detection and wake up

The error and the wake up are reported in the CANR register.

3.1.1 Dominant State Time-out

This protection is based on the fact that all CAN signals can not have more than five bits in a row with the same state. In case of a condition the Tx pin is stuck at 0v, the transceiver would hold the bus in dominant state making it impossible to the others CAN modules to use the bus. The protection acts releasing the bus when a dominant signal with more than 350uS typical (T_{dout} time) is present in the Tx signal. After entering the fault condition the driver is disabled. To clear this disabled state the CAN transceiver needs to have its input going to recessive state.

3.1.2 Internal Error output flags

There are internal error flags to signals when one of the below condition happens. The errors are reported in CAN register.

- Thermal protection activated (bit THERM)
- Over Current detection in CANL or CANH pins (bit CUR).
- Time-out condition for dominant state (bit TXF).

3.1.3 Sleep mode & Wake-up via CAN bus feature

The HSCAN interface enters in a low consumption mode when the “CAN sleep mode” is enabled. In this mode the HSCAN module will have a 60uA consumption via internal 5V.

When in sleep mode the transmitter and the receiver are disabled, the only part of circuit which remains working is the wake up module which contains a special low power receiver to check the bus lines and according to its activity generate a wake up output signal. The conditions for the wake is meet when there are 3 valid pulses in a row. A valid signal must have a pulse width bigger than 0.5us and no more than 0.5ms.

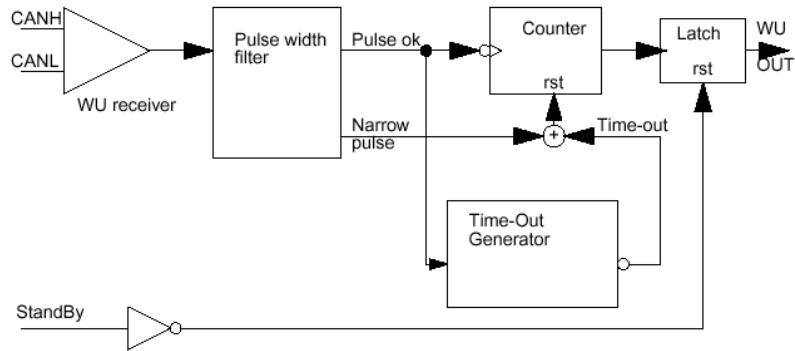


Figure 5. Wake up block diagram

The block diagram illustrates how the wake up signal is generated. First the CAN signal is detected by a low consumption receiver (WU receiver). Then the signal passes through a pulse width filter which discards the undesired pulses. The pulse must have a width bigger than 0.5us and smaller than 500us to be accepted. When a pulse is discarded the pulse counter is reseted and no wake signal is generated, otherwise when a pulse is accepted the pulse counter is incremented and after three pulses the wake signal is asserted.

Each one of the pulses must be spaced by no more than 500us. In that case the pulse counter is reset and no wake signal is generated. This is accomplished by the wake time-out generator. The wake up cycle is completed (and the wake flag reset) when the CAN interface is brought to "CAN normal" mode.

The wake up capability of the CAN can be disabled, refer to SPI interface and register section, CAN register.

Freescale Semiconductor, Inc.

4 GENERAL DESCRIPTION

The MC33989 is an integrated circuit dedicated to automotive applications. It includes the following functions:

- One full protected voltage regulator with 200mA total output current capability available at Vdd1 external pin.
- Driver for external path transistor for V2 regulator function.
- Reset, programmable watchdog function, INT, 4 operational modes
- Programmable wake up input and cyclic sense wake up
- Can high speed physical interface

4.1 Device Supply

The device is supplied from the battery line through the Vsup pin. An external diode is required to protect against negative transients and reverse battery. It can operate from 4.5V and under the jump start condition at 27V DC. This pin sustains standard automotive voltage conditions such as load dump at 40V. When Vsup falls below 3V typical the MC33989 detects it and store the information into the SPI register, in a bit called "BATFAIL". This detection is available in all operation modes.

The device incorporates a battery early warning function, which provides a maskable interrupt when the Vsup voltage is below 6V typical. A hysteresis is included. Operation is only in Normal and Standby modes. Vsup low is reported in IOR register.

4.2 Vdd1 Voltage Regulator

Vdd1 Regulator is a 5V output voltage with output current capability up to 200mA. It includes a voltage monitoring circuitry associated with a reset function. The Vdd1 regulator is fully protected against over current, short-circuit and has over temperature detection warning flags (bit VDDTEMP in MCR and INTR registers) and over temperature shutdown with hysteresis.

4.3 V2 regulator

V2 Regulator circuitry is designed to drive an external path transistor in order to increase output current flexibility. Two pins are used: V2 and V2 ctrl. Output voltage is 5V and is realized by a tracking function of the Vdd1 regulator. Recommended ballast transistor is MJD32C. Other transistor can be used, however depending upon the PNP gain an external resistor-capacitor network might be connected. V2 is the supply input for the CAN cell. The state of V2 is reported in the IOR register (bit V2LOW set to 1 if V2 is below 4.5V typical).

4.4 HS1 Vbat Switch Output

HS1 output is a 2 ohms typical switch from Vsup pin. It allows the supply of external switches and their associated pull up or pull down circuitry, in conjunction with the wake up input pins for example. Output current is limited to 200mA and HS1 is protected against short-circuit and has an over temperature shutdown (bit HS1OT in IOR and bit HS1OT-V2LOW in INTR register). HS1 output is controlled from the internal register and SPI. It can be activated at regular intervals in sleep and stop modes thanks to internal timer. It can also be permanently turned on in normal or stand-by modes to drive loads or supply peripheral components. No internal clamping protection circuit is implemented, thus dedicated external protection circuit is required in case of inductive load drive.

4.5 Battery fall early warning:

Refer to paragraph 4.1.

4.6 Internal Clock

The device has an internal clock used to generate all timings (reset, watchdog, cyclic wake up, filtering time etc....). Two oscillators are implemented. A high accuracy (+-12%) used in Normal request, normal and standby modes and a low accuracy (+-30%) used in sleep and stop modes.

4.7 Functional Modes

The device has four modes of operation, the stand-by mode, normal mode, stop and sleep modes. All modes are controlled by the SPI. An additional temporary mode called "normal request mode" is automatically accessed by the device after reset or wake up from stop mode. A reset mode is also implemented. Special modes and configuration are possible for debug and program MCU flash memory.

4.7.1 Reset mode:

In this mode, reset pin is low, an a timer is running for a time "reset-dur". After this time is ellapsed, the SBC enters Normal Request mode. Reset mode is enter if a reset condition occurs (Vdd1 low, watchdog timeout or watchdog trigger in closed window).

4.7.2 Normal request mode:

4.7.2.1 Description:

This is a temporary mode automatically accessed by the device after reset mode or after the SBC wake up from stop mode. After wake up from sleep mode or after device power up the SBC enters the reset mode first and then enters the Normal request mode. After a wake up from stop mode, the SBC enters Normal Request mode directly.

In Normal Request mode the Vdd1 regulator is ON, V2 is off, the reset pin is high. As soon as the device enters the normal request mode an internal 350ms timer is started. During these 350ms the micro controller of the application must addressed the SBC via SPI and configure the watchdog register. This is the condition for the SBC to stop the 350ms timer and to go into the Normal mode or standby mode and to set the watchdog timer according to configuration.

Freescale Semiconductor, Inc.

4.7.2.2 Normal request entered and no W/D configuration occurs:

In case the Normal request mode is entered after SBC power up or after a wake up from stop mode, and if no W/D configuration occurs while the SBC is in Normal request mode, the SBC goes to reset mode after the 350ms time period is expired, and then goes again into Normal request mode. If no W/D configuration is done, the SBC alternatively goes from normal request into reset then normal request modes etc.

In case the Normal request mode is entered after a wake up from sleep mode and if no W/D configuration occurs while the SBC is in Normal request mode, the SBC goes back to sleep mode.

4.7.3 Normal mode:

In this mode both regulators are ON and this corresponds to the normal application operation. All functions are available in this mode (watchdog, wake up input reading through SPI, HS1 activation, CAN communication). The software watchdog is running and must be periodically cleared through SPI.

4.7.4 Standby mode:

Only the regulator 1 is ON. Regulator 2 is turned OFF by disabling the V2 ctrl pin. Only the wake-up capability of the CAN interface is available. Other functions available are: wake up input reading through SPI, HS1 activation. The watchdog is running.

4.7.5 Sleep mode:

Regulators 1 and 2 are OFF. The current from Vsup pin is reduced. In this mode, the device can be awakened internally by cyclic sense via the wake up inputs pins and HS1 output, from the "forced wake up" function and from the CAN physical interface. When a wake up occurs the SBC goes first into reset mode, then enters Normal request mode.

4.7.6 Stop mode

4.7.6.1 Description

Regulator 2 is turned OFF by disabling the V2 ctrl pin. The regulator 1 is activated in a special low power mode which allow to deliver few mA. The objective is to maintain the MCU of the application supplied while it is turned into power saving condition (i.e stop or wait mode). In stop mode the device supply current from Vbat is very low.

When the application is in stop mode (both MCU and SBC), the application can wake up from the SBC side (ex cyclic sense, forced wake up, CAN message, wake up inputs and over current on Vdd1) or the MCU side (key wake up etc.).

Stop mode is always selected by SPI. In stop mode the Software watchdog can be "running" or "not running" depending upon selection by SPI (RCR register, bit WDSTOP). If W/D runs, to clear the W/D the SBC must be wake up by a CSB pin (SPI wake up). In stop mode, SBC wake up capability are identical as in sleep mode. Refer to table 1.

4.7.6.2 Application wake up from SBC side:

When application is in stop mode, it can wake up from the SBC side. When a wake up is detected by the SBC (ex CAN, Wake up input etc.) the SBC turns itself into Normal request mode and generates an interrupt pulse at the INTB pin.

4.7.6.3 Application wake up from MCU side:

When application is in stop mode, the wake up event may come from the MCU side. In this case the MCU signals to the SBC by a low to high transition on the CSB pin. Then the SBC goes into Normal Request mode and generates an interrupt pulse at the INTB pin.

4.7.6.4 Stop mode current monitor:

If the Vdd1 output current exceed an internal threshold (Idd1s-wu), the SBC goes automatically into normal request mode and generates an interrupt at the INTB pin. The interrupt is not maskable and the interrupt register will have no flag set.

4.7.6.5 INT generation when wake up from stop mode:

When the SBC wakes up from stop mode, it first enters the normal request mode and then generates a pulse (10us typical) on the INTB pin. These interrupts are not maskable, and the wake up event can be read through the SPI registers (CANWU bit in RCR register and LCTR_x bit in WUR register). In case of wake up from Stop mode over current or from forced wake up, no bit are set. After the INT pulse the SBC accept SPI command after a time delay (Ts-1stspi parameter).

4.7.6.6 Software watchdog in stop mode:

If watchdog is enabled, the MCU has to wake up independently of the SBC before the end of the SBC watchdog time. In order to do this the MCU has to signals the wake up to the SBC through the SPI wake up (CSB activation). Then the SBC wakes up and jump into the normal request mode. MCU has to configured the SBC to go to either normal or standby mode. The MCU can then decide to go back again to stop mode.

If no MCU wakes up occurs within the watchdog timing, the SBC will activate the reset pin and jump into the normal request mode. The MCU can then be initialized.

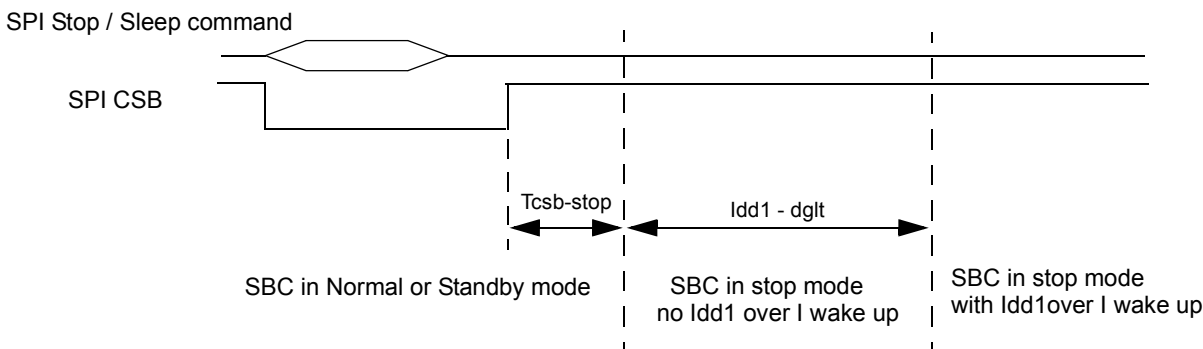
4.7.6.7 Stop mode enter command:

Stop mode is entered at end of the SPI message at the rising edge fo the CSB . Refer to to "Tcsb-stop" data in state machine timing table.

Freescale Semiconductor, Inc.

Once stop mode is entered the SBC could wake up from the V1 regulator over current detection. In order to allow time for the MCU to complete the last CPU instruction to allow MCU to enter its low power mode, a deglitcher time of typical 40us is implemented.

figure below indicate operation to enter stop mode.



4.8 Reset and watchdog pins, software watchdog operations:

4.8.1 Software watchdog (selectable window or time out watchdog)

Software watchdog is used in the SBC normal and stand-by modes for the MCU monitoring. The watchdog can be either window or time out. This is selectable by SPI (register TIM1, bit WDW). Default is window watchdog. The period for the watchdog is selectable from SPI from 10 to 350ms (register TIM1, bits WDT0 and WDT1). When the window watchdog is selected, the closed window is the first part of the selected period, and the open window is the second part of the period. Refer to SPI TIM register description. The watchdog can only be cleared within the open window time. An attempt to clear the watchdog in the closed window will generate a reset. Watchdog is cleared through SPI by addressing the TIM1 register.

4.8.2 Reset pin description

A reset output is available in order to reset the microcontroller. Two operation modes for the reset pin are available, mode 1 and mode 2 (refer to table for reset pin operation).

The reset cause when SBC is in mode 1 are:

- Vdd1 falling out of range: if Vdd1 falls below the reset threshold (parameter Rst-th), the reset pin is pull low until Vdd1 return to nominal voltage.
- Power on reset: at device power on or at device wake up from sleep mode, the reset is maintained low until Vdd1 is within its operation range.
- Watchdog time out: if the watchdog is not cleared the SBC will pull the reset pin low for the duration of the reset duration time (parameter: reset-dur).

In mode 2, the reset pin is not activated in case of watchdog time out. Refer to table for reset pin operation for mode detail.

For debug purposes at 25°C, reset pin can be shorted to 5V, thanks to its internal limited current drive capability.

4.8.3 Reset and Wdogb operation: mode1 and mode 2 (safe mode):

The watchdog and reset functions have two modes of operation: mode 1 and mode 2 (mode 2 is also called safe mode). These modes are independent of the SBC modes (Normal, stand-by, sleep, stop). Mode 1 or mode 2 selection is done through SPI (register MCR, bit SAFE). Default mode after reset is mode 1.

Table below is the reset and watchdog output mode of operation. Two modes (mode 1 and mode 2) are available and are selectable through the SPI, safe bit. Default operation after reset or power up is mode 1.

In both modes reset is active at device power up and wake up.

In mode 1: Reset is activated in case of Vdd1 fall or watchdog not triggered. Wdogb output is active low as soon as reset goes low and stays low as long as the watchdog is not properly re-activated by SPI.

In mode 2, safe mode: Reset is not activated in case of Watchdog failure. WDOGB output has same behavior as in mode 1.

The Wdogb output pin is a push pull structure than can drive external component of the application in order for instance to signal MCU wrong operation.

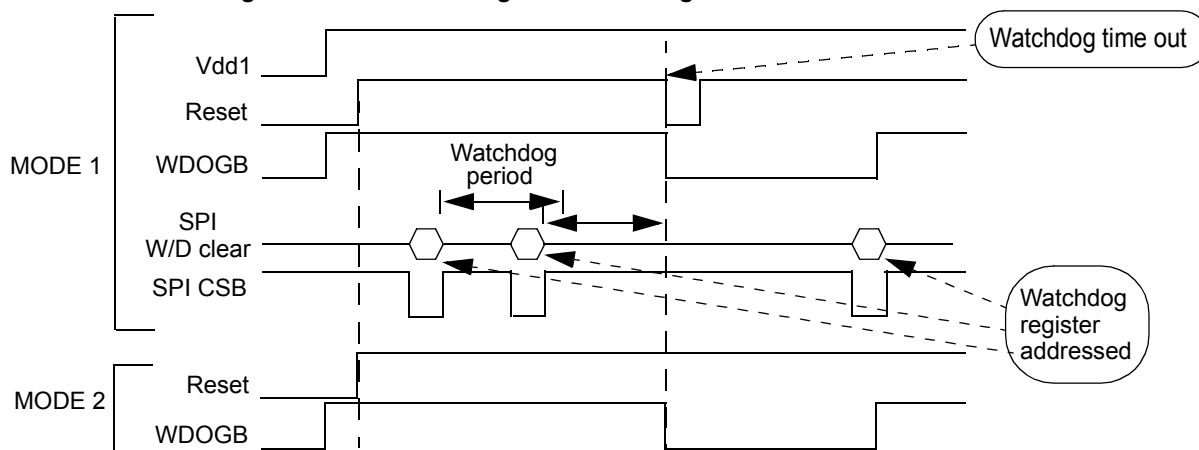
Events	Mode	WDOGB output	Reset output
Device power up	1 or 2 (safe mode)	low to high	low to high
- Vdd1 normal - Watchdog properly triggered	1	high	high

Freescale Semiconductor, Inc.

Events	Mode	WDOGB output	Reset output
Vdd1 < Rst-th	1	high	low
Watchdog time out reached	1	low (note1)	low
- Vdd1 normal - Watchdog properly triggered	2 (safe mode)	high	high
Vdd1 < Rst-th	2 (safe mode)	high	low
Watchdog time out reached	2 (safe mode)	low (note1)	high

note1: Wdogb stays low until the Watchdog register is properly addressed through SPI.

Figure 6. Reset and Wdogb functions diagram in mode 1 and 2



4.9 Wake Up capabilities

Several wake-up capabilities are available for the device when it is in sleep or stop mode. When a wake up has occurred, the wake up event is stored into the WUR or CAN registers. The MCU can then access to the wake up source. The wake up options are selectable through SPI while the device is in normal or standby mode and prior to go to enter low power mode (sleep or stop mode). When a wake up occurs from sleep mode the device activates Vdd1. It generates an interrupt if wake up occurs from stop mode.

4.9.1 Wake up from wake up inputs (L0, L1, L2, L3) without cyclic sense

The wake up lines are dedicated to sense external switches state and if changes occur to wake up the MCU (In sleep or stop modes). The wake up pins are able to handle 40V DC. The internal threshold is 3V typical and these inputs can be used as input port expander. The wake up inputs state can be read through SPI (register WUR).

In order to select and activate direct wake up from the Lx inputs the WUR register must be configured with the appropriate level sensitivity, and the LPC register must be configured with 0x0 data (bit LX2HS1 set at 0 and bit HS1AUTO set at 0).

Level sensitivity is selected by WUR register. Level sensitivity are configured by pair of Lx inputs: L0 and L1 level sensitivity are configured together, L2 and L3 are configured together.

4.9.2 Cyclic sense wake up (Cyclic sense timer and wake up inputs L0, L1, L2, L3)

The SBC can wake up upon state change of one of the four wake up input lines (L0, L1, L2 and L3) while the external pull up or pull down resistor of the switches associated to the wake up input lines are biased with HS1 Vsup switch. The HS1 switch is activated in sleep or stop mode from an internal timer. Cyclic sense and Forced wake up are exclusive. If Cyclic Sense is enabled the forced up can not be enabled.

In order to select and activate the cyclic sense wake up from the Lx inputs the WUR register must be configured with the appropriate level sensitivity, and the LPC register must be configured with 1x1 data (bit LX2HS1 set at 1 and bit HS1AUTO set at 1). The wake up mode selection (direct or cyclic sense) is valid for all 4 wake up inputs.

4.9.3 Forced wake up

SBC can wake up automatically after a pre determined time spent in sleep or stop mode. Cyclic sense and Forced wake up are exclusive. If Forced wake up is enabled (FWU bit set to 1 in LPC register) the Cyclic Sense can not be enabled.

4.9.4 CAN interface wake up

The device incorporates a high speed 1Mbaud CAN physical interface. Its electrical parameters for the CANL, CANH, Rx

Freescale Semiconductor, Inc.

and Tx pins are compatible to ISO11898 specification (ISO 11898: 1993(E)). The control of the CAN physical interface operation is done through the SPI. CAN modes are independent of the SBC operation modes.

The device can wake up from a CAN message if CAN wake up has been enabled. Refer to CAN module description for detail of wake up detection.

4.9.5 SPI wake up

The device can wake up by the CSB pin in sleep or stop mode. Wake up is detected by CSB pin transition from low to high level. In stop mode this correspond to the condition where MCU and SBC are in Stop mode and when the application wake up event comes through the MCU.

4.9.6 Device power up, SBC wake up

After device or system power up, or after the SBC wakes up from sleep mode, it enters into “reset mode” then into “normal request mode”.

4.10 Debug mode: hardware and software debug with the SBC.

When the SBC is mounted on the same printed circuit board as the micro controller it supplies, both application software and SBC dedicated routine must be debugged. Following features allow the user to debug the software by allowing the possibility to disable the SBC internal software watchdog timer.

4.10.1 Device power up, reset pin connected to Vdd1

At SBC power up, the Vdd1 voltage is provided, but if no SPI communication occurs to configure the device, a reset occurs every 350ms. In order to allow software debug and avoid MCU reset the Reset pin can be connected directly to Vdd1 by a jumper.

4.10.2 Debug modes with software watchdog disabled though SPI (Normal Debug, Standby Debug and Stop Debug)

The software watchdog can be disabled through SPI. In order to avoid unwanted watchdog disable and to limit the risk of disabling the watchdog during SBC normal operation the watchdog disable has to be done with the following sequence:

Step 1) Power down the SBC

Step 2) Power up the SBC (The BATFAIL bit is set, and the SBC enters normal request mode)

Step 3) Write to TIM1 register to allow SBC to enter Normal mode

Step 4) Write to MCR register with data 0000 (this enables the debug mode). (Complete SPI byte: 000 1 0000)

Step 5) Write to MCR register normal debug (0001 x101)

While in debug mode, the SBC can be used without having to clear the W/D on a regular basis to facilitate software and hardware debug.

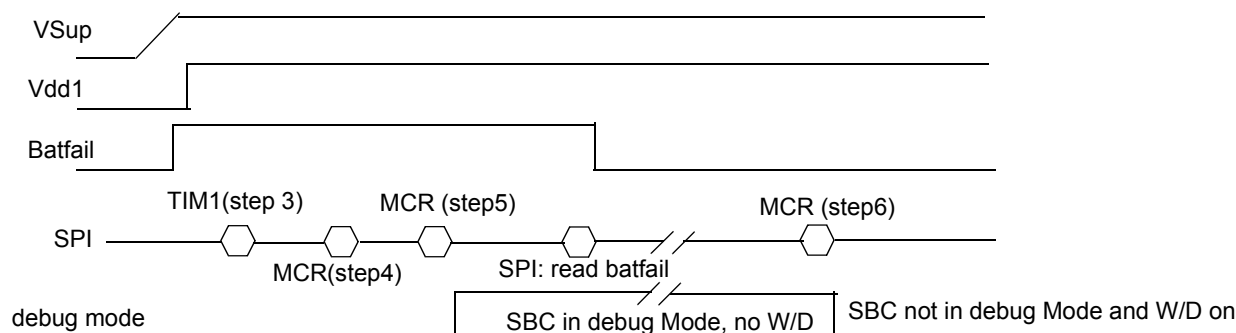
Step 6) To leave the debug mode, write 0000 to MCR register.

At step 2, the SBC is in normal request. Step 3, 4 and 5 should be done consecutively and within the 350ms time period of the normal request mode. If not, the SBC will go into reset mode and enter again normal request.

When the SBC is in debug mode, and has been set into stop debug or sleep debug, when a wake up occurs the SBC enters Normal request mode, for a time period of 350ms. In order to avoid the SBC to generate a reset (enter reset mode) the desired next debug mode (normal debug or standby debug) should be configured within the 350ms time period of the normal request mode (for detail refer to “State machine in debug mode”).

To avoid entering debug mode after a power up, first read BATFAIL bit (MCR read) and write 0000 into MCR.

The graph below illustrates the debug mode enter.



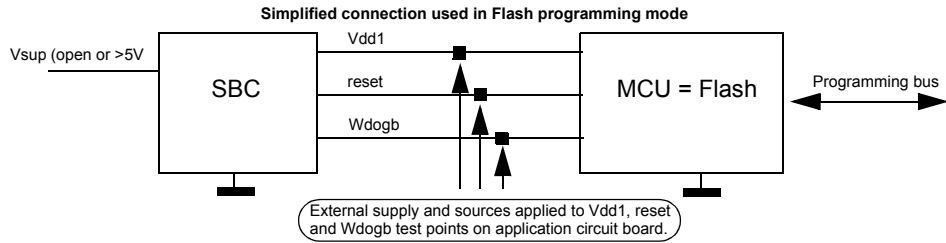
4.10.3 MCU flash programming configuration

In order to allow the possibility to download software into the application memory (MCU EEPROM or Flash) the SBC allows the following capabilities: The Vdd1 can be forced by an external power supply to 5V and the reset and Wdogb outputs by external signal sources to zero or 5V and this without damage. This allow for instance to supply the complete application board by external power supply and to apply the correct signal to reset pins. No function of the SBC are operating.

Due to pass transistor from Vdd1 to VSUP, supplying the device from Vdd1 pin biases the VSUP pin. So VSUP should be left open or forced to value above 5V. Reset pin is periodically pulled low for “reset dur” time (3.4ms typical) and then pulled to Vdd1 for 350ms typical. During the time reset is low, reset pin sinks 5mA maximum (Ipdw parameter).

Freescale Semiconductor, Inc.

Figure 7. Simplified schematic for Flash programming



4.11 Package and thermal consideration

The device is proposed in a standard surface mount SO28 package. In order to improve the thermal performances of the SO28 package, 8 pins are internally connected to the lead frame and are used for heat transfer to the printed circuit board.

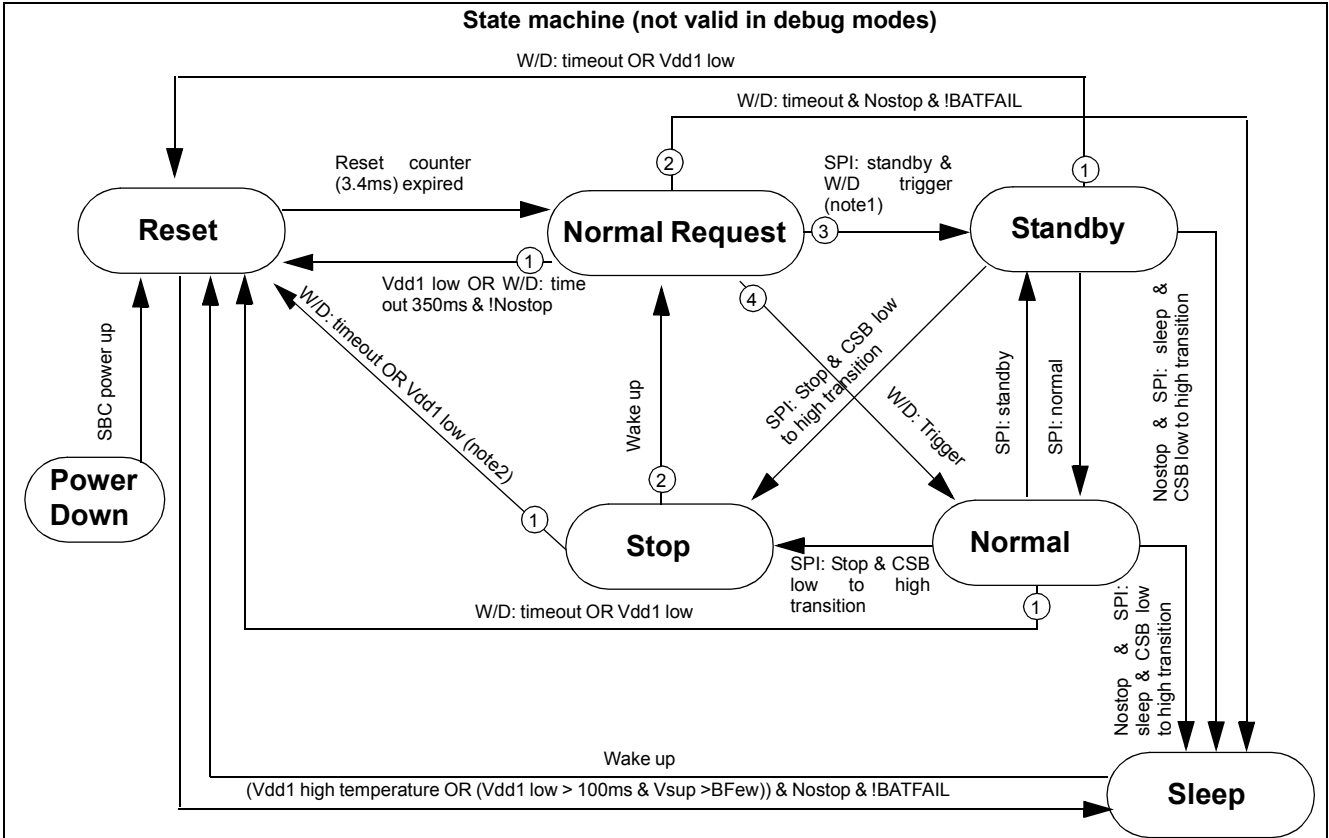
Freescale Semiconductor, Inc.

5 TABLE OF OPERATION

The table below describes the SBC operation modes. “Normal Debug”, “Standby Debug” and “Stop Debug” are entered via special sequence described at debug mode paragraph.

mode	Voltage Regulator HS1 switch	Wake up capabilities (if enabled)	Reset pin	INT	Software Watchdog	CAN cell
Normal Request	Vdd1: ON V2: OFF HS1: OFF		Low for “reset-dur” time then high			
Normal	Vdd1: ON V2: ON HS1 controllable		- Normally high. - Active low if W/D or Vdd1 under voltage occurs (and mode 1 selected)	If enabled, signal failure (Vdd pre warning temp, CAN, HS1)	Running	Tx/Rx
Standby	Vdd1: ON V2: OFF HS1 controllable		same as Normal Mode	same as Normal Mode	Running	Low power
Stop	Vdd1: ON (limited current capability) V2: OFF HS1: OFF or cyclic	- CAN - SPI - L0,L1,L2,L3 - Cyclic sense - Forced Wake up - Idd1 Over current* (*always enable)	- Normally high. - Active low if W/D (*) or Vdd1 under voltage occurs (*): if enabled	Signal SBC wake up and Idd>Idd1s-wu (not maskable)	- Running if enabled - Not Running if disabled	- Low Power - Wake up capability if enabled
Sleep	Vdd1: OFF V2: OFF HS1 OFF or cyclic	- CAN - SPI - L0,L1,L2,L3 - Cyclic sense - Forced Wake up	Low	Not active	No Running	- Low Power - Wake up capability if enabled
Debug Normal	Same as Normal		- Normally high. - Active low if Vdd1 under voltage occur	Same as Normal	Not running	same as Normal
Debug Standby	Same as Standby		- Normally high. - Active low if Vdd1 under voltage occur	Same as Standby	Not running	same as Standby
Stop Debug	Same as Stop	Same as Stop	- Normally high. - Active low if Vdd1 under voltage occur	Same as Stop	Not running	Same as Stop
Flash programming	Forced externally		not operating	not operating	not operating	not operating

6 STATE MACHINE



① ② ③ ④ denotes priority

State machine description:

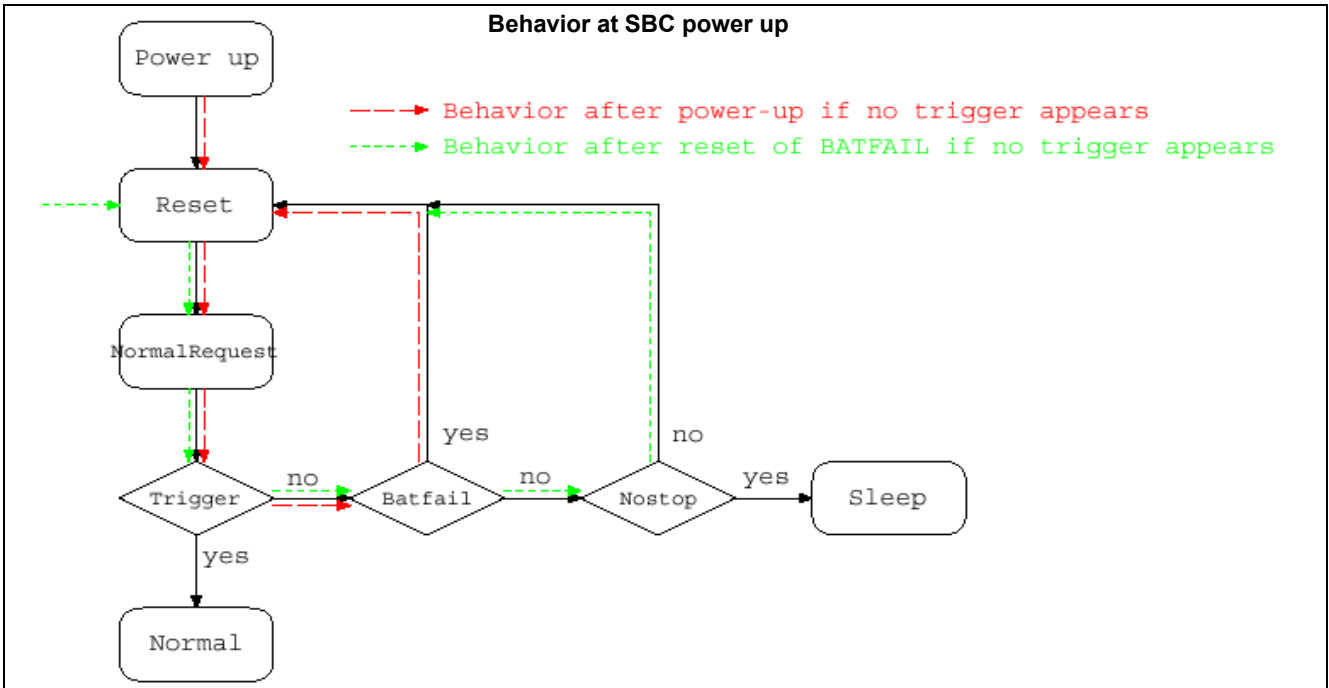
- “Nostop” means Nostop bit = 1
- “! Nostop” means Nostop bit = 0
- “BATFAIL” means Batfail bit = 1
- “! BATFAIL” means Batfail bit = 0
- “Vdd1 over temperature” means Vdd1 thermal shutdown occurs
- “Vdd1 low” means Vdd1 below reset threshold
- “Vdd1 low > 100ms” means Vdd1 below reset threshold for more than 100ms

- “W/D: Trigger” means TIM1 register write operation.
- Vsup>BFew means Vsup > Battery Fall Early Warning (6.1V typical)

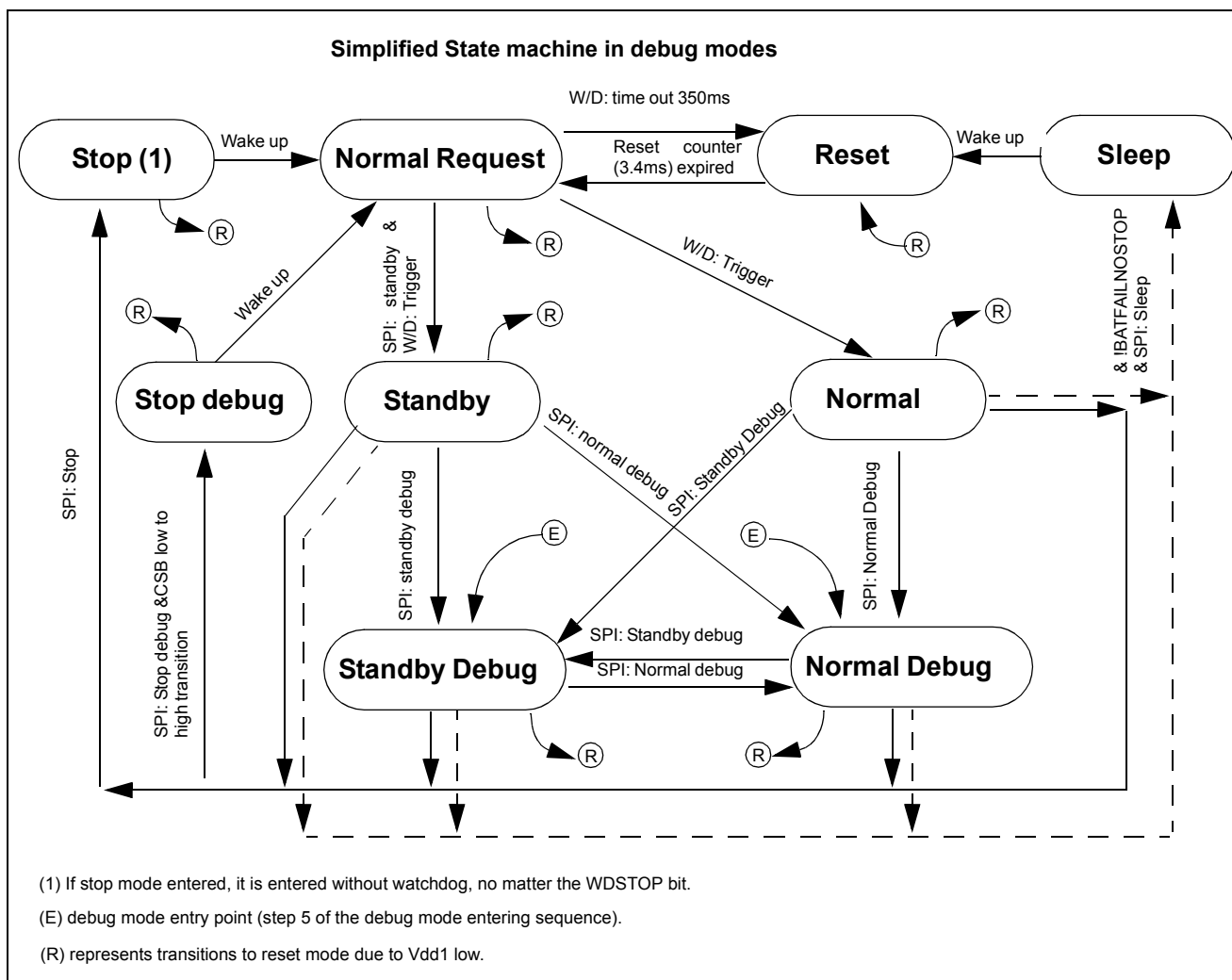
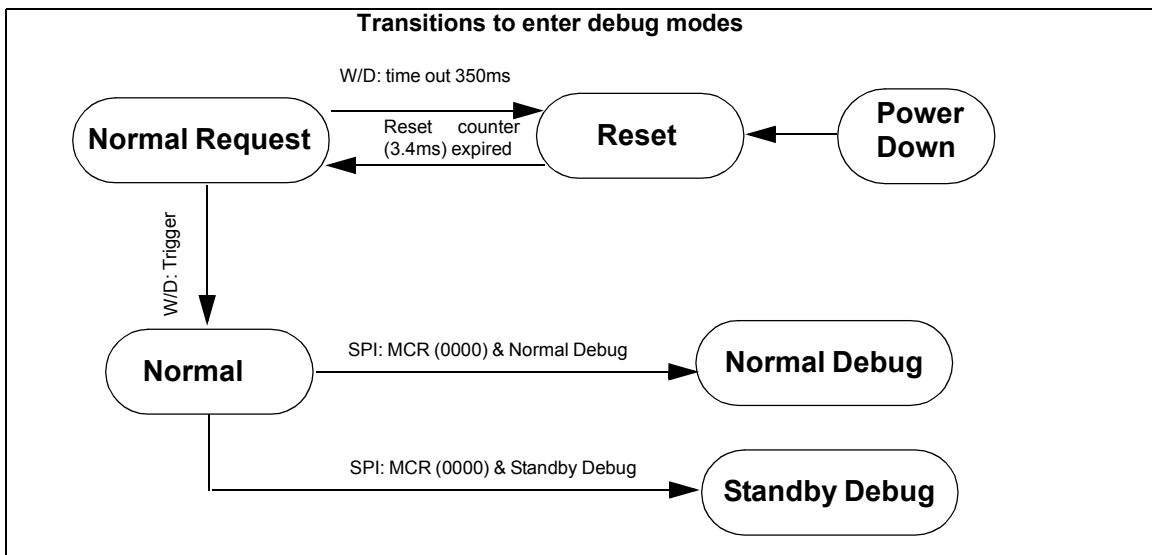
“W/D: time out” means TIM1 register not written before W/D time out period expired, or W/D written in incorrect time window if window W/D selected (except stop mode). In normal request mode time out is 355ms p2.2 (350ms p3)ms.

- “SPI: Sleep” means SPI write command to MCR register, data sleep
- “SPI: Stop” means SPI write command to MCR register, data stop
- “SPI: Normal” means SPI write command to MCR register, data normal
- “SPI: Standby” means SPI write command to MCR register, data standby

Note 1: these 2 SPI commands must be send in this sequence and consecutively.
 Note 2: if W/D activated



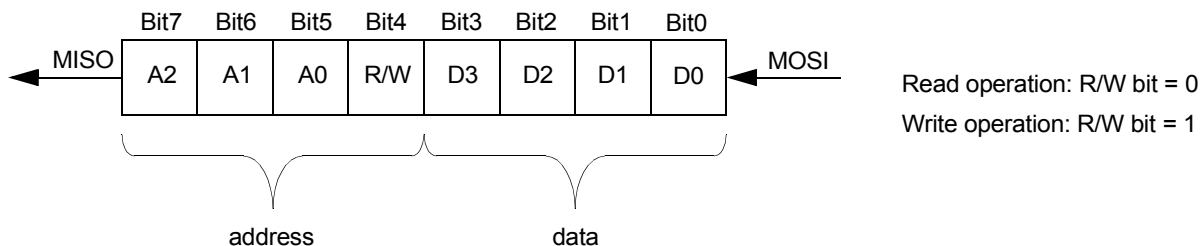
Freescale Semiconductor, Inc.



Freescale Semiconductor, Inc.

7 SPI INTERFACE AND REGISTER DESCRIPTION

7.1 Data format description



The SPI is a 8 bit SPI. First 3 bits are used to identify the internal SBC register address, bit 4 is a read/write bit. The last 4 bits are data send from MCU to SBC or read back from SBC to MCU.

During write operation state of MISO has no signification.

During read operation only the last 4 bits at MISO have a meaning (content of the accessed register)

Following tables describe the SPI register list, and register bit meaning.

Registers "reset value" is also described, as well as the "reset condition". Reset condition is the condition which cause the bit to be set at the "reset value".

Possible reset condition are:

SBC reset: Power On Reset: POR

SBC mode transition:

- NR2R - Normal Request to Reset mode
- NR2N - Normal Request to Normal mode
- NR2STB - Normal Request to Standby mode
- N2R - Normal to Reset mode
- STB2R - Standby to Reset mode
- STO2R - Stop to Reset mode
- STO2NR - Stop to NormalRequest

SBC mode: RESET - SBC in Reset mode

List of Registers:

Name	Address	Description	Comment and usage
MCR	\$ 0 0 0	Mode control register	Write: Control of normal, standby, sleep, stop, debug modes Read: BATFAIL flag and other status bits and flags
RCR	\$ 0 0 1	Reset control register	Write: Configuration for reset voltage level, safe bit, stop mode Read: CAN wake up and CAN failure status bits
CAN	\$ 0 1 0	CAN control register	Write: CAN module control: Tx/Rx & sleep modes, slope control, wake enable/disable. Read: CAN wake up and CAN failure status bits
IOR	\$ 0 1 1	I/O control register	Write: HS1 (high side switch) control in normal and standby mode Read: HS1 over temp bit, Vsup and V2 low status.
WUR	\$ 1 0 0	Wake up input register	Write: Control of wake up input polarity Read: Wake up input, and real time Lx input state
TIM	\$ 1 0 1	Timing register	Write: TIM1, Watchdog timing control, window or Timeout mode. Write: TIM2, Cyclic sense and force wake up timing selection
LPC	\$ 1 1 0	Low power mode control register	Write: Control of HS1 periodic activation in sleep and stop modes, force wake up.
INTR	\$ 1 1 1	Interrupt register	Write: Interrupt source configuration Read: INT source

Table 7-1.

Freescale Semiconductor, Inc.

7.1.1 MCR register

MCR		D3	D2	D1	D0
\$000b	W		MCTR2	MCTR1	MCTR0
	R	BATFAIL ⁽¹⁾	VDDTEMP	GFAIL	WDRST
Reset value			0	0	0
Reset condition			POR, RESET	POR, RESET	POR, RESET

Control bits:

MCTR2	MCTR1	MCTR0	SBC mode	Description
0	0	0	Enter/leave debug mode	To enter or leave debug mode, refer to detail description in chapter 4.
0	0	1	Normal	
0	1	0	Standby	
0	1	1	Stop, watchdog off ⁽²⁾	
0	1	1	Stop, watchdog on ⁽²⁾	
1	0	0	Sleep ⁽³⁾	
1	0	1	Normal	No watchdog running, debug mode
1	1	0	Standby	
1	1	1	Stop	

(1): Bit BATFAIL cannot be set by SPI. BATFAIL is set when Vsup falls below 3V.

(2): Watchdog ON or OFF depends upon RCR register bit D3.

(3): Before entering sleep mode, bit BATFAIL in MCR register must be previously cleared (MCR read operation), and bit NOSTOP in RCR register must be previously set to 1.

Status bits:

Status bit	Description
GFAIL	Logic OR of CAN failure (TXF permanent dominant or CAN over current or CAN therm) or HS1 over temp or V2 low
BATFAIL	Battery fail flag (set when Vsup < 3V)
VDDTEMP	Temperature pre-warning on VDD (latched)
WDRST	Watchdog reset occurred

7.1.2 RCR register

RCR		D3	D2	D1	D0
\$001b	W	WDSTOP	NOSTOP	SAFE	RSTTH
	R				
Reset value		1	0	0	0
Reset condition		POR, RESET, STO2NR	POR, NR2N, NR2STB	POR	POR

Freescale Semiconductor, Inc.

Control bits:

Condition	SAFE	WDOGB pin	Reset pin
Device power up	0 1	0	0 => 1
V1 normal, WD is properly triggered	0 1	1	1 1
V1 drops below Rstth	0 1	1 1	0 0
WD time out	0 1	0	0 1

Status bit	Bit value	Description
WDSTOP	0	No watchdog in stop mode
	1	Watchdog runs in stop mode
NOSTOP	0	Device can not enter sleep mode
	1	Sleep mode is allowed, device can enter sleep mode
RSTTH	0	Reset threshold 1 selected (typ 4.6V)
	1	Reset threshold 2 selected (typ 4.2V)

7.1.3 CAN register

Description: control of the high speed CAN module, mode, slew rate and wake up

CAN		D3	D2	D1	D0
\$010b	W		SC1	SC0	MODE
	R	CANWU	TXF	CUR	THERM
Reset value			0	0	0
Reset condition			POR	POR	POR

7.1.3.1 High speed CAN transceiver modes

Description: Mode bit (D0) controls the state of the CAN module, Normal or Sleep mode. SC0 bit (D1) defines the slew rate when the CAN module is in normal, and controls the wake up option (wake up enable or disable) when the CAN module is in sleep mode. CAN module modes (Normal and Sleep) are independent of the SBC modes.

SC1	SC0	MODE	CAN Mode
0	0	0	CAN normal, slew rate 0
0	1	0	CAN normal, slew rate 1
1	0	0	CAN normal, slew rate 2
1	1	0	CAN normal, slew rate 3
X	1	1	CAN sleep and CAN wake up disable
X	0	1	CAN sleep and CAN wake up enable

Freescale Semiconductor, Inc.

Status bits:

Status bit	Description
CANWU	CAN wake-up occurred
TXF	Permanent dominant TX
CUR (1)	CAN transceiver in current limitation
THERM	CAN transceiver in thermal shut down

Errors bits are latched in the CAN registers.

(1) Bit CUR is set to 1 when the CAN interface is programmed into "CAN NORMAL" for the first time after V2 turn ON. In order to clear the bit CUR following procedure must be used: after V2 is ON (SBC in Normal mode and V2 above V2 threshold) the CAN interface must be set into "CAN sleep", and then turn back into "CAN NORMAL".

7.1.4 IOR register

Description.: control of HS1 in normal and standby modes

IOR		D3	D2	D1	D0
\$011b	W		HS1ON		
	R	V2LOW	HS1OT	VSUPLOW	DEBUG
Reset value			0		
Reset condition			POR		

Control bits:

HS1ON	HS1 state
0	HS1 OFF, in normal and standby mode
1	HS1 ON, in normal and standby mode

When HS1 has been turned off because of over temperature, it can be turned on again by setting the appropriate control bit to "1". Errors bits are latched in the IOR registers.

Status bits:

Status bit	Description
V2LOW	V2 below 4V
HS1OT	High side 1 over temperature
VSUPLOW	Vsup below 6.1V
DEBUG	If set, SBC accepts command to go to Debug modes (no WD)

7.1.5 WUR register

The local wake-up inputs L0, L1, L2, and L3 can be used in both normal and standby mode as port expander and for waking up the SBC in sleep or stop mode.

WUR		D3	D2	D1	D0
\$100b	W	LCTR3	LCTR2	LCTR1	LCTR0
	R	L3WU	L2WU	L1WU	L0WU

Freescale Semiconductor, Inc.

WUR		D3	D2	D1	D0
Reset value		0	0	0	0
Reset condition		POR, NR2R, N2R, STB2R, STO2R			

The wake-up inputs can be configured almost separately, where L0 and L1 are configured together and L2 and L3 are configured together.

Control bits:

LCTR3	LCTR2	LCTR1	LCTR0	L0/L1 configuration	L2/L3 configuration
X	X	0	0	inputs disabled	
X	X	0	1	high level sensitive	
X	X	1	0	low level sensitive	
X	X	1	1	both level sensitive	
0	0	X	X		inputs disabled
0	1	X	X		high level sensitive
1	0	X	X		low level sensitive
1	1	X	X		both level sensitive

Status bits:

Status bit	Description
L3WU	Wake-up occurred (sleep/ stop mode), logic state on Lx (standby/ normal mode)
L2WU	
L1WU	
L0WU	

note: Status bits have two functions. After SBC wake up, they indicate the wake up source (example: L2WU set at 1 if wake up source is L2 input). After SBC wake and once the WUR has been read, status bits indicates the real time state of the Lx inputs (1 mean Lx is above threshold, 0 means that Lx input is below threshold).

If after a wake up from Lx input, a W/D timeout occurs before the first reading of the WUR register, the LxWU bits are reset. This can occurs only if SBC was in stop mode.

7.1.6 TIM registers

Description: This register is splitted into 2 sub registers, TIM1 and TIM2.

TIM1 controls the watchdog timing selection as well as the window or time out option. TIM1 is selected when bit D3 is 0.

TIM2 is used to define the timing for the cyclic sense and forced wake up function. TIM2 is selected when bit D3 is 1.

No read operation is allowed for registers TIM1 and TIM2

Freescale Semiconductor, Inc.

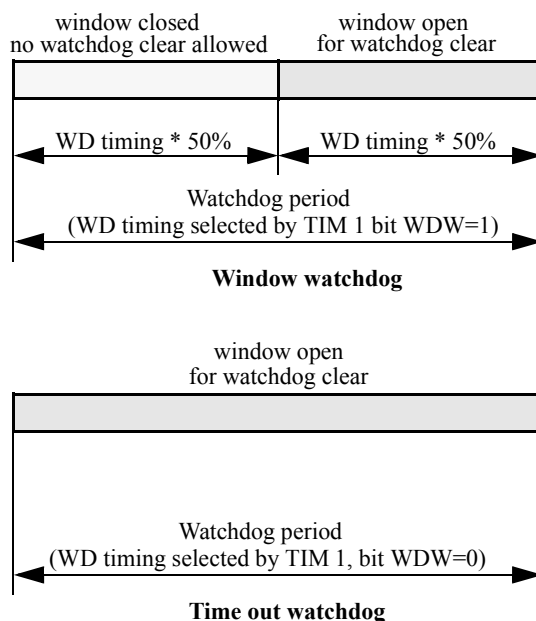
7.1.7 TIM1 register.

TIM1		D3	D2	D1	D0
\$101b	W	0	WDW	WDT1	WDT0
	R				
Reset value			0	0	0
Reset condition			POR, RESET	POR, RESET	POR, RESET

Description

WDW	WDT1	WDT0	Timing [ms]	Parameter	
0	0	0	10	Watchdog period 1	no window watchdog
0	0	1	45	Watchdog period 2	
0	1	0	100	Watchdog period 3	
0	1	1	350	Watchdog period 4	
1	0	0	10	Watchdog period 1	window watchdog enabled (window length is half the watchdog timing)
1	0	1	45	Watchdog period 2	
1	1	0	100	Watchdog period 3	
1	1	1	350	Watchdog period 4	

Watchdog operation (window and time out)



7.1.8 TIM2 register

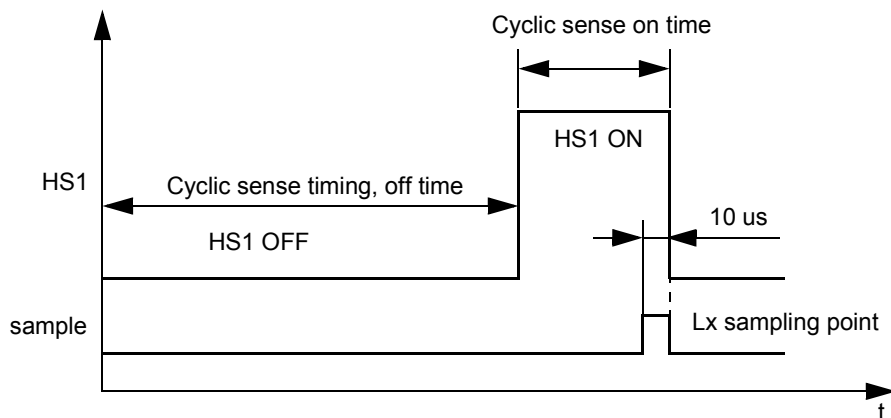
The purpose of TIM2 register is to select an appropriate timing for sensing the wake-up circuitry or cyclically supplying devices by switching on or off HS1.

TIM2		D3	D2	D1	D0
\$101b	W	1	CSP2	CSP1	CSP0
	R				

Freescale Semiconductor, Inc.

TIM2		D3	D2	D1	D0
Reset Value			0	0	0
Reset condition			POR, RESET	POR, RESET	POR, RESET

CSP2	CSP1	CSP0	Cyclic sense timing [ms]	Parameter
0	0	0	5	Cyclic sense/FWU timing 1
0	0	1	10	Cyclic sense/FWU timing 2
0	1	0	20	Cyclic sense/FWU timing 3
0	1	1	40	Cyclic sense/FWU timing 4
1	0	0	75	Cyclic sense/FWU timing 5
1	0	1	100	Cyclic sense/FWU timing 6
1	1	0	200	Cyclic sense/FWU timing 7
1	1	1	400	Cyclic sense/FWU timing 8



7.1.9 LPC register

Description: This register controls:

- The state of HS1 in stop and sleep mode (HS1 permanently off or HS1 cyclic)
- Enable or disable the forced wake up function (SBC automatic wake up after time spend in sleep or stop mode, time defined by TIM2 register)
- Enable or disable the sense of the wake up inputs (Lx) at sampling point of the cyclic sense period (LX2HS1 bit).

LPC		D3	D2	D1	D0
\$110b	W	LX2HS1	FWU		HS1AUTO
	R				
Reset value		0	0		0
Reset condition		POR, NR2R, N2R, STB2R, STO2R	POR, NR2R, N2R, STB2R, STO2R		POR, NR2R, N2R, STB2R, STO2R

Freescale Semiconductor, Inc.

LX2HS1	Wake-up inputs supplied by HS1
0	no
1	yes, Lx inputs sensed at sampling point

HS1AUTO	Autotiming HS1 in sleep and stop modes
0	off
1	on, HS1 cyclic, period defined in TIM2 register

refer to chapter 4.9.2 for detail of the LPC register set up required for proper cyclic sense or direct wake up operation.

7.1.10 INTR register

Description: This register allows to mask or enable the INT source. A read operation informs about the interrupt source.

INTR		D3	D2	D1	D0
\$111b	W	VSUPLOW	HS1OT-V2LOW	VDDTEMP	CANF
	R	VSUPLOW	HS1OT	VDDTEMP	CANF
Reset value		0	0	0	0
Reset condition		POR, RESET	POR, RESET	POR, RESET	POR, RESET

Control bits:

Control bit	Description
CANF	Mask bit for CAN failures
VDDTEMP	Mask bit for VDD medium temperature (pre warning)
HS1OT-V2LOW	Mask bit for HS1 over temperature AND V2 below 4V
VSUPLOW	Mask bit for Vsup below 6.1V

When the mask bit has been set, INTB pin goes low if the appropriate condition occurs.

Status bits:

Status bit	Description
CANF	CAN failure
VDDTEMP	VDD medium temperature (pre warning)
HS1OT	HS1 over temperature
VSUPLOW	Vsup below 6.1V

Notes:

Freescale Semiconductor, Inc.

If HS1OT-V2LOW interrupt is only selected (only bit D2 set in INTR register), reading INTR register bit D2 leads to two possibilities:

Bit D2 = 1: INT source is HS1OT.

Bit D2 = 0: INT source is V2LOW.

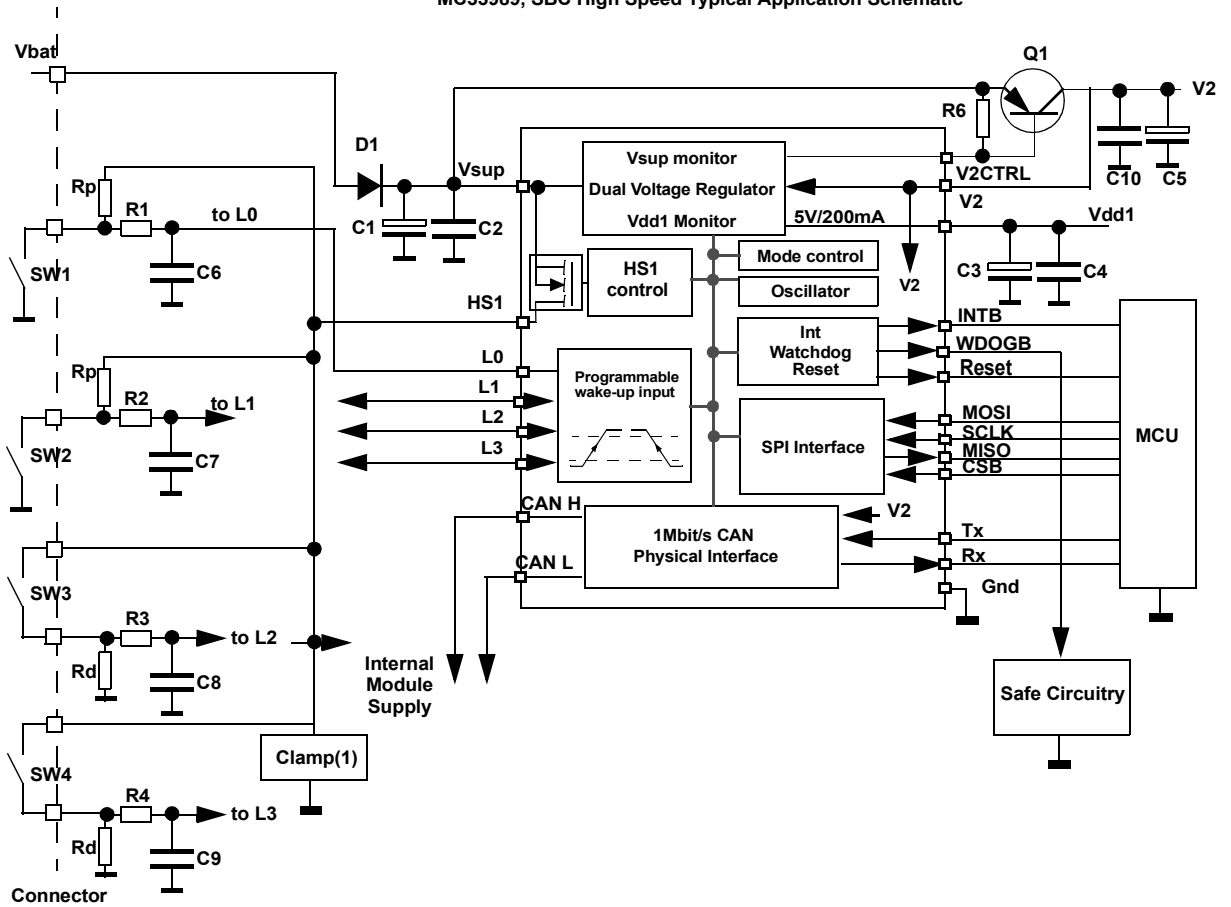
HS1OT and V2LOW bits status are available in IOR register.

Upon a wake up condition from stop mode due to over current detection (Idd1s-wu1 or Idd1s-wu2), an INT pulse is generated, however INTR register content remains at 0000 (not bit set into the INTR register).

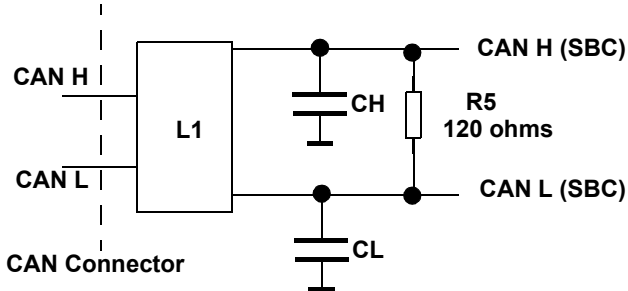
The status bit of the INT register content are a copy of the IOR and CAN registers status content. To clear the INT register bit the IOR and/or CAN register must be cleared (read register). Once this operation is done at IOR and CAN register the INT register is updated.

Errors bits are latched in the CAN and IOR registers.

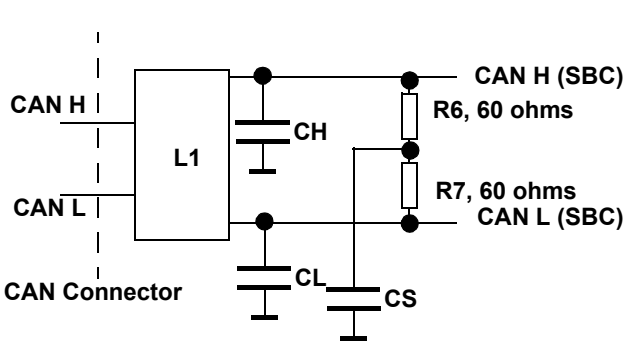
MC33989, SBC High Speed Typical Application Schematic



Detail of CAN standard termination schematic (not splitted termination)



Detail of CAN splitted termination schematic

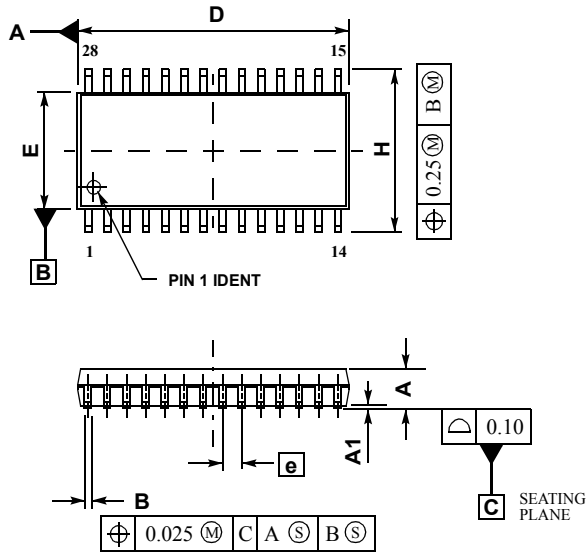


Component values:

- D1:
- Q1: MJD32C
- R1,R2,R3,R4: 10k
- R5: 120
- Rp, Rd:
- R6: 2.2k
- C1: 10uF
- C2: 100nF
- C3: 47uF
- C4: 100nF

- C5: 47uF tantal
- C6,C7,C8,C9,C10: 100nF
- CL, CH: 220 pF

CASE OUTLINE



NOTES:

1. DIMENSIONS ARE IN MILLIMETERS.
2. INTERPRET DIMENSIONS AND TOLERANCES PER ASME Y14.5M, 1994.
3. DIMENSIONS D AND E DO NOT INCLUDE MOLD PROTRUSIONS.
4. MAXIMUM MOLD PROTRUSION 0.015 PER SIDE.
5. DIMENSION B DOES NOT INCLUDE DAMBAR PROTRUSION. ALLOWABLE DAMBAR PROTRUSION SHALL BE 0.13 TOTAL IN EXCESS OF B DIMENSION AT MAXIMUM MATERIAL CONDITION.

DIM	MILLIMETERS	
	MIN	MAX
A	2.35	2.65
A1	0.13	0.29
B	0.35	0.49
C	0.23	0.32
D	17.80	18.05
E	7.40	7.60
e	1.27 BSC	
H	10.05	10.55
L	0.41	0.90
q	0 x	8 x

**CASE 751F-05
ISSUE F**

Motorola reserves the right to make changes without further notice to any products herein. Motorola makes no warranty, representation or guarantee regarding the suitability of its products for any particular purpose, nor does Motorola assume any liability arising out of the application or use of any product or circuit, and specifically disclaims any and all liability, including without limitation consequential or incidental damages. "Typical" parameters can and do vary in different applications and actual performance may vary over time. All operating parameters, including "Typicals", must be validated for each customer application by customer's technical experts. Motorola does not convey any license under its patent rights nor the rights of others. Motorola products are not designed, intended, or authorized for use as components in systems intended for surgical implant into the body, or other applications intended to support or sustain life, or for any other application in which the failure of the Motorola product could create a situation where personal injury or death may occur. Should Buyer purchase or use Motorola products for any such unintended or unauthorized application, Buyer shall indemnify and hold Motorola and its officers, employees, subsidiaries, affiliates, and distributors harmless against all claims, costs, damages, and expenses, and reasonable attorney fees arising out of, directly or indirectly, any claim of personal injury or death associated with such unintended or unauthorized use, even if such claim alleges that Motorola was negligent regarding the design or manufacture of the part. Motorola and are registered trademarks of Motorola, Inc. Motorola, Inc. is an Equal Opportunity/Affirmative Action Employer.

MOTOROLA and the Stylized M Logo are registered in the US Patent and Trademark Office. All other product or service names are the property of their respective owners.

© Motorola, Inc. 2002

HOW TO REACH US:

USA/EUROPE/LOCATIONS NOT LISTED: Motorola Literature Distribution: P.O. Box 5405, Denver, Colorado 80217.

1-303-675-2140 or 1-800-441-2447

JAPAN: Motorola Japan Ltd.; SPS, Technical Information Center, 3-20-1 Minami-Azabu, Minato-ku, Tokyo 106-8573 Japan.

81-3-3440-3569

ASIA/PACIFIC: Motorola Semiconductors H.K. Ltd.; Silicon Harbour Centre, 2 Dai King Street, Tai Po Industrial Estate, Tao Po, N.T.,

Hong Kong. 852-26668334

TECHNICAL INFORMATION CENTER: 1-800-521-6274



MOTOROLA

**For More Information On This Product,
Go to: www.freescale.com**

MC33898/D